

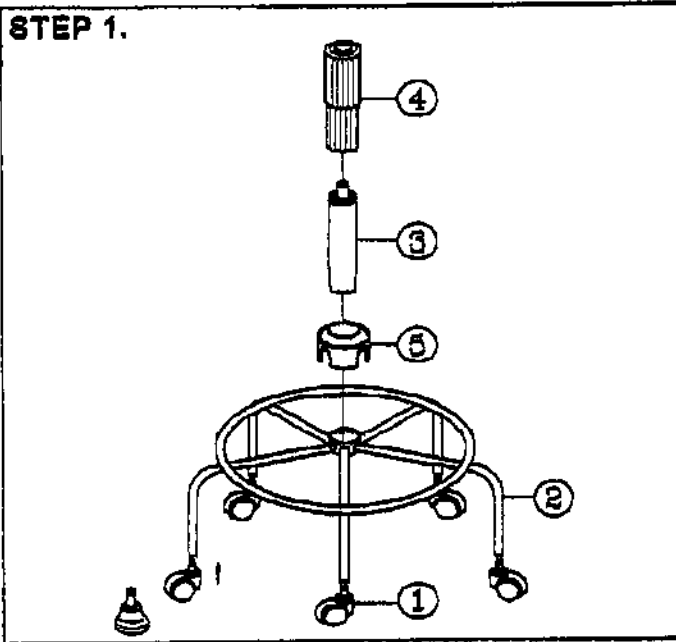


# Assembly Instructions for "Urethane" Utility Stool No. DC208

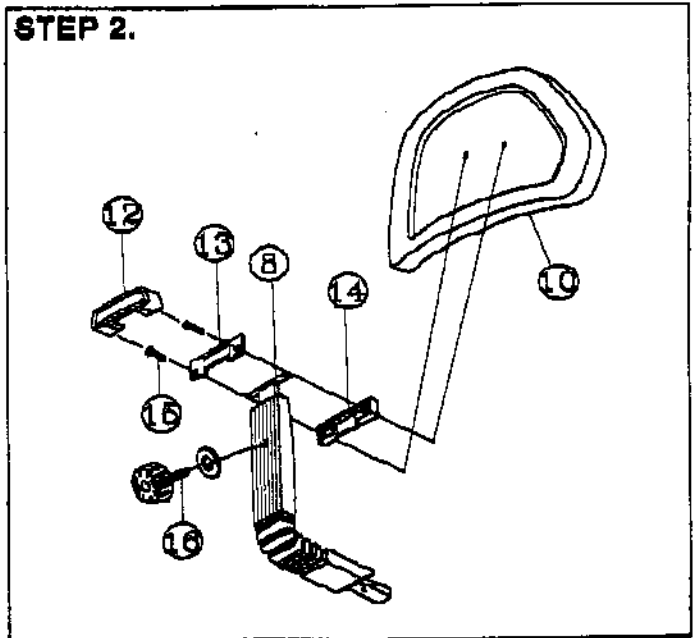
## PARTS LIST

KEY QTY	DESCRIPTION	KEY QTY	DESCRIPTION	KEY QTY	DESCRIPTION
1	5	CASTER & GLIDE	7	1	MECHANISM
2	1	BASE	8	1	BACKREST POST +
3	1	SEAT POST			PLASTIC COVER
4	1	SEAT POST COVER	9	6	MECHANISM SCREW
5	1	BASE CAP	10	1	BACKREST
6	1	BACKREST DEPTH ADJ. KNOB + WASHERS	11	1	SEAT
			12	1	PLASTIC COVER
			13	1	STEEL PLATE
			14	1	PLASTIC HOLDER
			15	2	BACKREST SCREW
			16	1	BACKREST HEIGHT ADJ. KNOB + WASHER

STEP 1.



STEP 2.



STEP 3.

